

Standard pressure gauges to DIN EN 837-1



Diameter 40, 50, 63
connection position radial bottom,
or central back

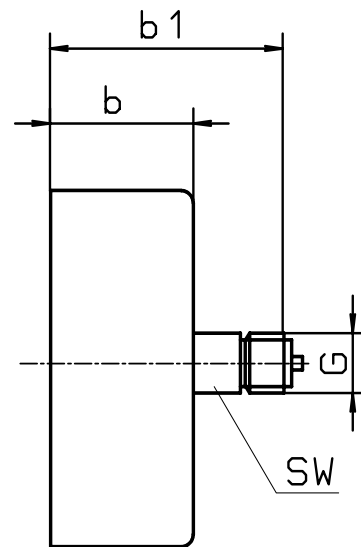
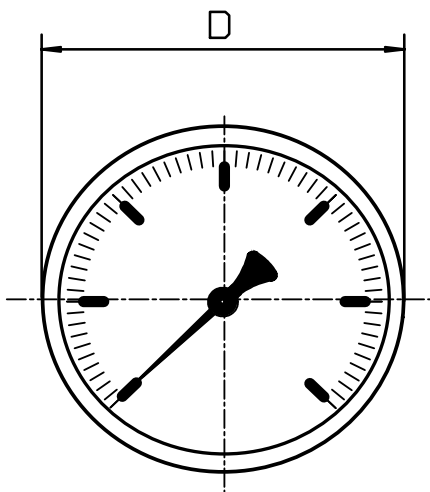
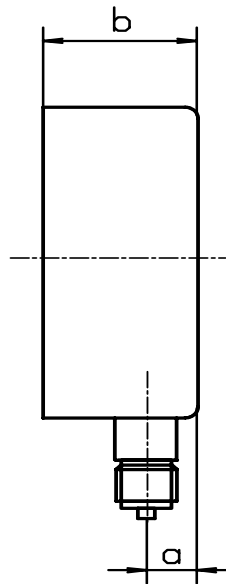
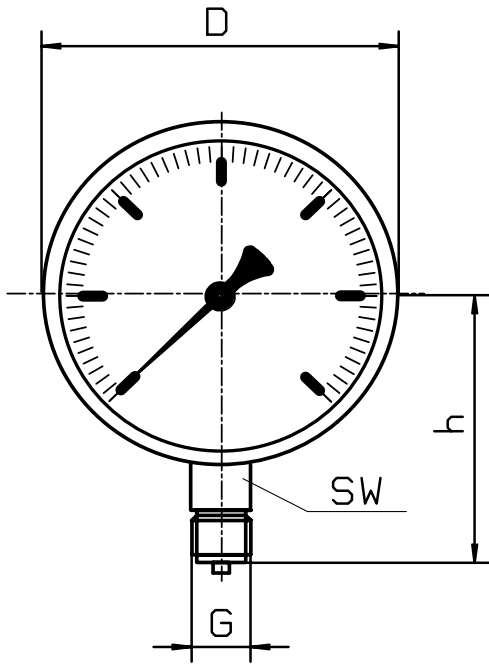
For normal demands in accuracy of indication
and construction.
They can be used in all applications where liquid
or gaseous media are not highly viscous and do not
attack copper alloys or crystallize.



Types	4101	4151	4201	4251	4301	4351	Options
Diameter	40		50		63		
Symbol							dia.63, ABS-case, cl. 1,6 0...4 bar, with green field red mark, G1/4 or G3/8: type 4821 (bottom) and type 4841 (back)
Accuracy class	2,5 acc. to DIN EN 837-1				cl. 1,6		
Ranges	0...0,6 to 0...400 bar according to DIN 16128 negative gauge pressure or positive / negative gauge pressure						
Application	constant load: $\frac{3}{4}$ x end of scale value alternating load: $\frac{2}{3}$ x end of scale value						
Case	steel, black						stainless steel, bright
Ring	with slip ring, pressed				with slip ring, screwed		slip ring, triangular front ring, bow fixing
Window	glass						plexiglass, convex, clipped-on
Dial	Al white with stop pin, scale black to DIN 16109						special scales
Movement	CuZn-alloy						
Pointer	Al black						
Measuring element	Cu-alloy						
Pressure connection	CuZn-alloy						
Pressure position	radial bottom	central back	radial bottom	central back	radial bottom	central back	
Pressure thread	G1/8 B without male or G 1/4 B		G 1/4 B or G 1/8 B without male		G 1/4 B		on request G 1/8 B and M 12x1,5
Temperatures	Medium : Tmax 60°C, ambient -40°C, Tmax 60°C						special solder up to 200°C
Orifice							dmm. 0,4; dmm. 0,8
Weight approx.	0,07 kg	0,065 kg	0,075 kg	0,071 kg	0,15 kg	0,15 kg	

Types 4101, 4201, 4301, 4151, 4251, 4351

Types	Dimensions in mm							
	NG	a	b	b1	D	G	h	SW
4101	40	8	24,1	-	40	G 1/8 B	36	14
4101	40	8	24,1	-	40	G 1/4 B	40,5	14
4151	40	-	26	44	41	G 1/8 B	-	14
4151	40	-	26	47	41	G 1/4 B	-	14
4201	50	10	27,6	-	49	G 1/4 B	45	14
4251	50	-	26,5	47,5	49	G 1/4 B	-	14
4301	63	10	28,3	-	62	G 1/4 B	53,5	14
4351	63	-	27,5	48,5	62	G 1/4 B	-	14



Modifications reserved!