

**Heavy Duty contact pressure gauges  
with Bourdon tube and  
magnetic snap-action contacts or inductive  
alarm contacts acc. to EN 837-1**



Diameter 160  
connection position radial bottom,  
or eccentric back

**with or without dampening**

Contact pressure gauges with electrical alarm contacts are suitable for controlling or regulating process sequences. The contacts open or close electrical circuits in relation to the position of the pointer on the pressure gauge.  
The materials used make the gauges suitable for chemically aggressive gases or liquids, although these should not be too viscous or susceptible to crystallization.



Types	6211	8111	6411	8211	Options
Diameter	160				
Symbol					
Liquid filling	silicon oil		silicon oil		Esteroil (silicon free)
Number of contacts	from 1 bar each 2 magnetic snap-action and inductive alarm contacts at 1,6 bar 2 magnetic snap-action or 3 inductive alarm contacts from 4 bar 4 magnetic snap-action contacts				
cable connection	PG 13,5, socket right side				
Accuracy class	<= 1,6 bar: class 1,6; > 1,6 bar: class 1,0 acc. to EN 837-1				
Ranges	0...1 to 0...1000 bar negative or positive and negative and positive overpressure				
Applications	constant load: up to the end of scale value alternating load: up to the end of scale value short time: 1.3 x overload capacity				
Case	steel, black finish				
Ring	steel, black finish				
Window	plastic, Polycarbonat				
Dial	Al white, Scale and printing black				
Pointer	Al black				
Movement	CuZn-alloy				
Measuring element	Cu-alloy up to 40 bar, over 40 bar stainless steel				
Pressure connection	CuZn-alloy up to 1000 bar, over 1000 bar stainless steel 1.4571				
Pressure position	radial bottom		eccentric back		
Pressure thread	G 1/2 B				others on request
Temperatures	Medium: -20°C to 80°C, ambient -25°C to 60°C				
Temp. Drift	0,3%/10K deviation of normal temperature 20°C				
Protection	IP 54	IP 65	IP 54	IP 65	
Orifice	dmr. 0,3; dmr. 0,4; dmr. 0,8				
Approx. Weight	1,8 kg	3,3 kg	1,7 kg	3,2 kg	

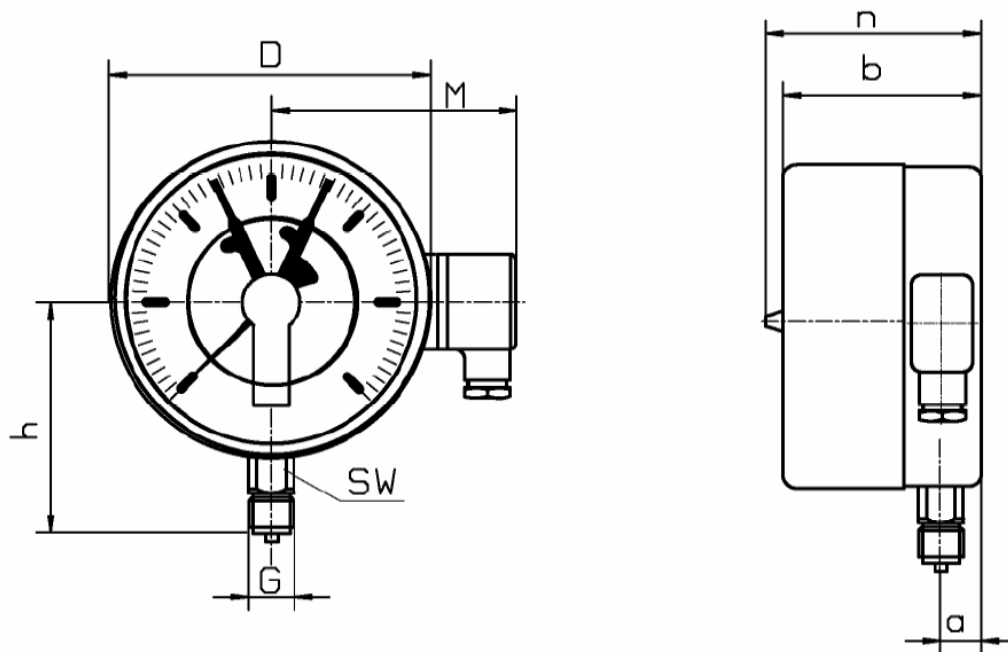
02/02

Electrical Details: look at the special page, capitel 8!

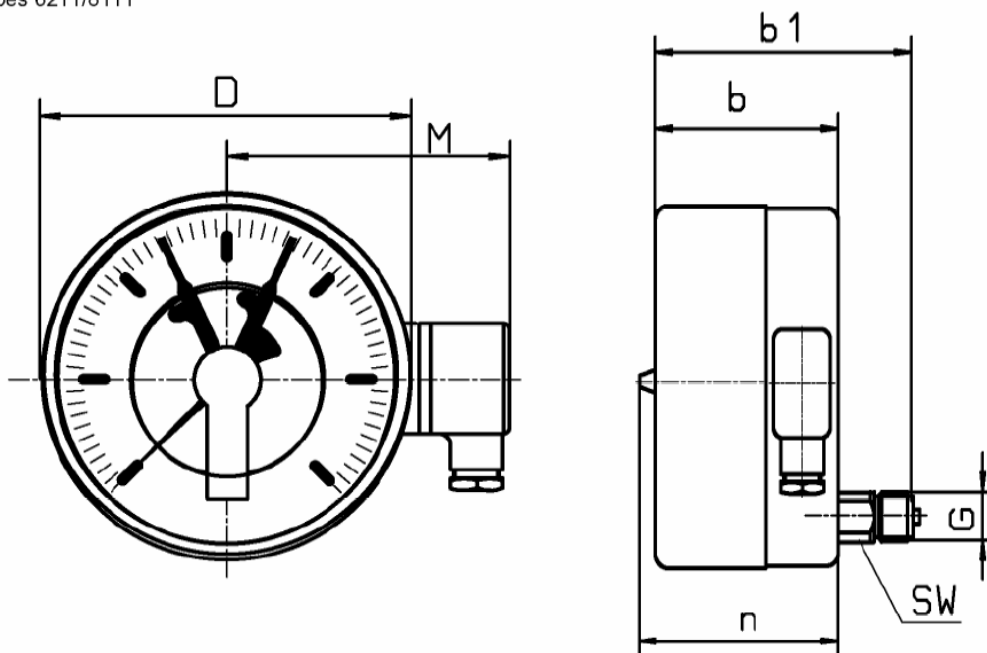
**Types 6211, 8111, 6411, 8211**

Sheet 1.22

Types	Dimensions in mm									
	NG	a	b	b1	D	G	h	M	n	SW
6211/8111	160	15	97	-	160	G 1/2 B	118	118	107	22
6411/8211	160	-	97	132	160	G 1/B	-	118	107	22



Types 6211/8111



Types 6411/8211

Modifications reserved!