

# WAFER BUTTERFLY VALVE

## Ref. 1123

Ref. : DS 1123

Rev. : 3

Date : 12/07

Page 1/2



Valves and fittings

90 rue du ruisseau 38297 ST QUENTIN FALLAVIER

Tel : (33)04.74.94.15.90 Fax : (33)04.74.95.62.08

E.mail : sferaco@sferaco.fr

### SPECIFICATIONS :

- . Long neck for isolation
- . ISO mounting pad
- . Wafer type
- . Full crossing stem
- . 10 positions cranted lever
- . Tightness PTFE on stem
- . Stainless steel butterfly
- . Epoxy painting of 80 micron thickness color RAL 003

### USE :

- . For common fluids
- . Operating temperature Ts : -10°C to 90°C
- . Max pressure Ps : 16 bars up to DN200 (10 bars over)

### RANGE :

- . Between flange GN10/GN16 or ASA150 Ref. 1123 DN40 to DN300

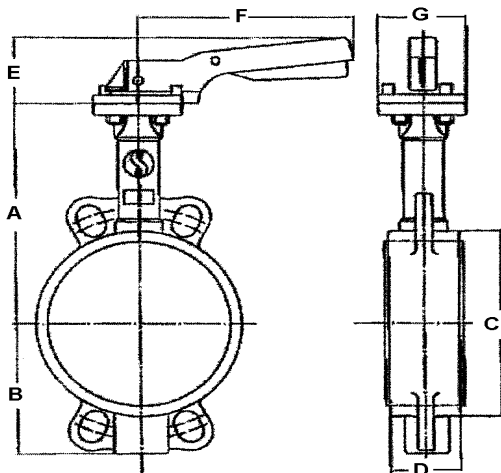
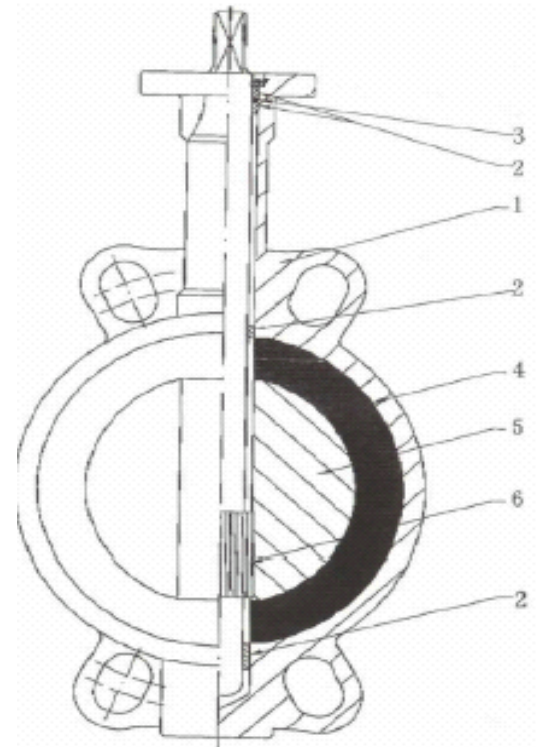
### MATERIALS :

| N° | DESIGNATION  | MATERIALS      |
|----|--------------|----------------|
| 1  | Body         | Cast iron GG25 |
| 2  | Bearing      | PTFE           |
| 3  | O ring       | NBR            |
| 4  | Elastic ring | EPDM           |
| 5  | Butterfly    | SS 316         |
| 6  | Stem         | SS 416         |
|    | Lever        | Aluminium      |

### SIZE :

#### 1. VALVE

|              | DN     | 40   | 50    | 65   | 80  | 100 | 125   | 150 | 200  | 250   | 300   |
|--------------|--------|------|-------|------|-----|-----|-------|-----|------|-------|-------|
| Ref.<br>1123 | A      | 130  | 136,5 | 142  | 158 | 180 | 192   | 215 | 242  | 280   | 310   |
|              | B      | 61   | 77    | 87,5 | 95  | 107 | 121,5 | 144 | 171  | 205   | 235   |
|              | C      | 82   | 95    | 109  | 127 | 152 | 180   | 207 | 260  | 315   | 370   |
|              | D      | 33   | 43    | 46   | 46  | 52  | 56    | 56  | 60   | 68    | 78    |
|              | E      | 74   | 74    | 74   | 74  | 74  | 79    | 79  | 37   | 37    | 37    |
|              | F      | 200  | 200   | 200  | 200 | 200 | 278   | 278 | 355  | 507   | 507   |
|              | G      | 65   | 65    | 65   | 65  | 65  | 90    | 90  | 125  | 150   | 150   |
|              | Stem   | 9    | 9     | 9    | 9   | 11  | 14    | 14  | 17   | 22    | 27    |
|              | ISO    | F05  | F05   | F05  | F05 | F05 | F07   | F07 | F10  | F12   | F12   |
|              | Weight | 2,15 | 2,65  | 3,05 | 3,9 | 4,5 | 7     | 7,9 | 14,5 | 22,75 | 31,75 |



# WAFER BUTTERFLY VALVE

## Ref. 1123

Ref. : DS 1123

Rev. : 3

Date : 12/07

Page 2/2



Valves and fittings

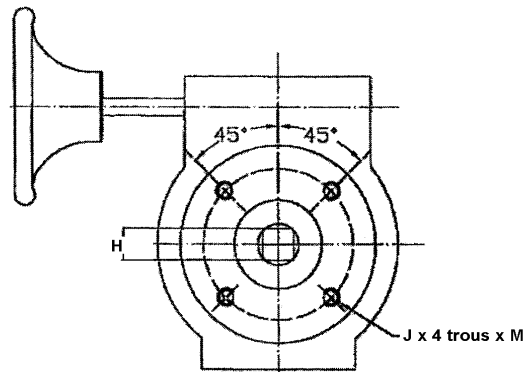
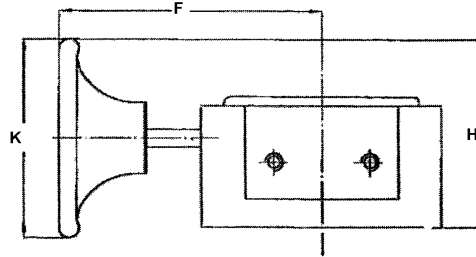
90 rue du ruisseau 38297 ST QUENTIN FALLAVIER

Tel : (33)04.74.94.15.90 Fax : (33)04.74.95.62.08

E.mail : sferaco@sferaco.fr

### 2. GEAR BOX

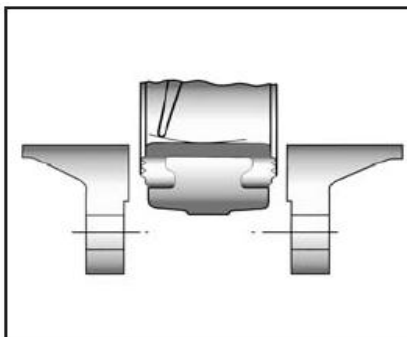
|      | DN | 40/80 | 100 | 125/150 | 200   | 250   | 300   |
|------|----|-------|-----|---------|-------|-------|-------|
| Ref. | F  | 156   | 156 | 156     | 241   | 223   | 223   |
| 1198 | H1 | 116   | 116 | 168     | 192,5 | 189,5 | 189,5 |
|      | K  | 150   | 150 | 250     | 300   | 300   | 300   |
|      | H  | 9     | 11  | 14      | 17    | 22    | 27    |
|      | J  | 50    | 50  | 70      | 102   | 125   | 125   |
|      | M  | 6     | 6   | 8       | 10    | 12    | 12    |



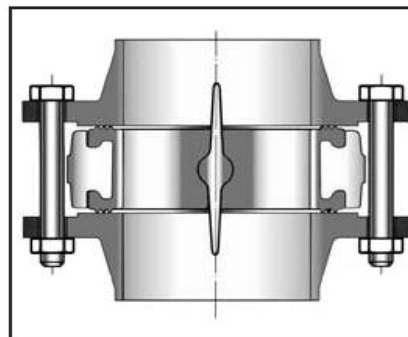
### STANDARDS :

- . Length according to ISO 5752 NF 29305
- . Test according to API 598
- . DIRECTIVE 97/23/CE : CE 0035
- . Risk category III module H module A

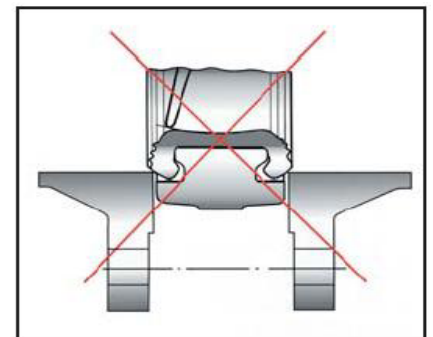
## NECESSARY INSTRUCTIONS FOR GOOD USING



Half open valve introduction



Complete opened disc valves when screw tightening



**Do not mount butterfly valves with stainless steel flanges and turning flanges**

**ADVICE :** Our opinion and our advice are not guaranteed and SFERACO shall not be liable for the consequences of damages. The customer must check the right choice of the products with the real service conditions.